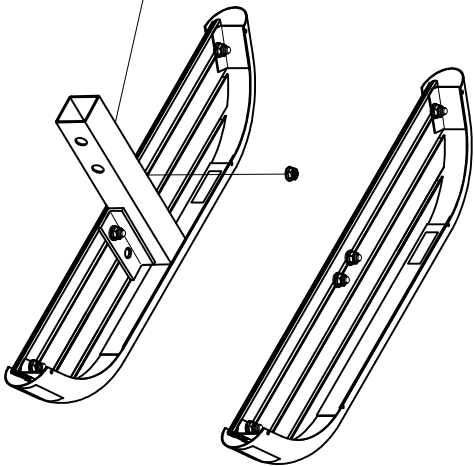


SERVICE PARTS LIST

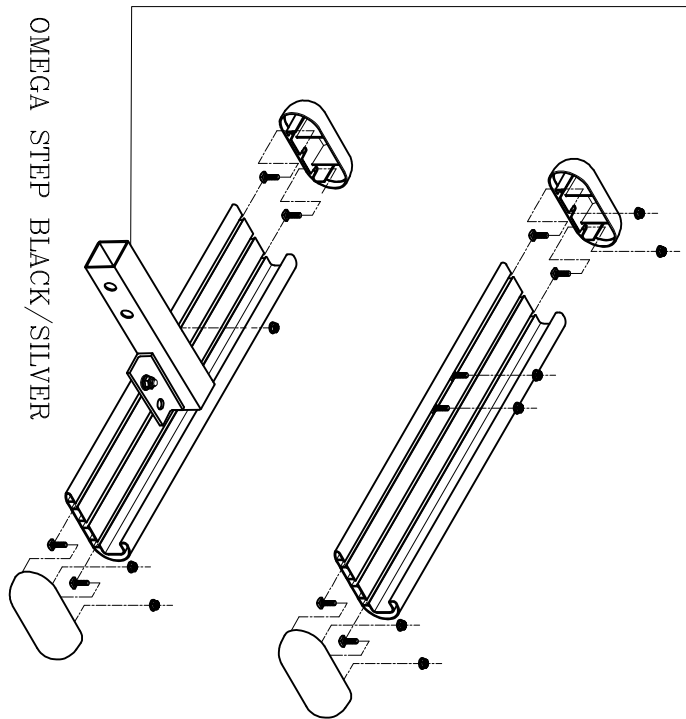
BOARDS -	5752226
	5850226
	5860226
	4150226
STINGER -	5700000
STINGER/PLATE -	570010

STEP BOARDS SOLD SEPARATELY

MEGA STEP

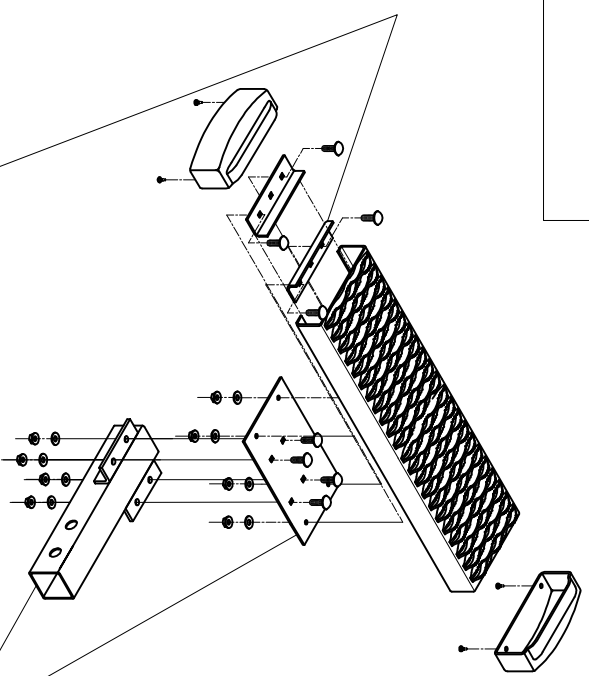


STINGER - PKG (5700000)



OMEGA STEP BLACK/SILVER

GRIP STEP



STINGER - PKG (570010)



REV B 30JUN15  
 REV A 10JUL09  
 551659 SHEET 1 11MAY09